



FW500-CR Dual Display Model



Washdown

FW 500 SERIES

Washdown Portion Control Scale

Portability, dependability, & reliability... The FW 500 Series brings a whole new standard to the weighing industry by offering a unique design for washdown portion control scales. The FW 500 Series is ideal for fish markets, food processing plants, and restaurant kitchens where accuracy and dependability matter most.

- 15 lb, 30 lb, & 60 lb Capacities
- Large - Easy to Read 1.4 inch / 35 mm LCD Display
- Washdown - Protected to IP69K Standards
- AC or Battery Operated
- Large Stainless Steel Platter

FW 500-C ▶



FW500 SERIES | Washdown Portion Control Scale

SPECIFICATIONS

Model	FW500-C/CR(15LB)	FW500-C/CR(30LB)	FW500-C/CR(60LB)	Dimensions			
Weighing Capacity	lb	0-6 x 0.002 lbs / 6-15 x 0.005 lbs	0-15 x 0.005 lbs / 15-30 x 0.01 lbs	0-30 x 0.01 lbs / 30 - 60 x 0.02 lbs	Overall Size	Inches	10.5 (W) x 11.9 (D) x 4.3 (H)
	kg	0-3 x 0.001 kg / 3-6 x 0.002 kg	0-6 x 0.002 kg / 6-15 x 0.005 kg	0-15 x 0.005 kg / 15-30 x 0.01 kg		mm	266 (W) x 303 (D) x 109 (H)
	oz	0-80 x 0.05 oz / 80-160 x 0.1 oz	0-200 x 0.1 oz / 200-400 x 0.2 oz	0-400 x 0.2 oz / 400-1000 x 0.5 oz	Platter Size	Inches	9.7 (W) x 8.4 (D)
mm	247 (w) x 212 (D)						
Resolution	1/3000 - Dual Interval						
Max Tare	To Capacity By Subtraction						
Enclosure	Aluminum Die Casting						
Accuracy	0.1% - 0 ~ Full Capacity						
Display Digit	5 Digit 1.4 inch / 35 mm LCD with Backlight						
Display Annunciators	Stable, Zero, Tare, Unit, BAT						
Keys	4 Button Keypad - Zero, Tare, Hold, Power						
Power	1.5V x 4 "D" Size Batteries or 12V 300mA Adapter						
Operating Time	For Single Display Models: Alkaline Cell - 2400 Hours						
Operating Temp	-10°C ~ 40°C / 14°F ~ 104°F						
Product Weight	6.6 lbs / 3.0 kg						
Approvals	NTEP: COC# 14-034						
	Measurement Canada: AM-5950						
	NSF Certified						
Warranty	1 Year						



Portable • Dependable • Reliable

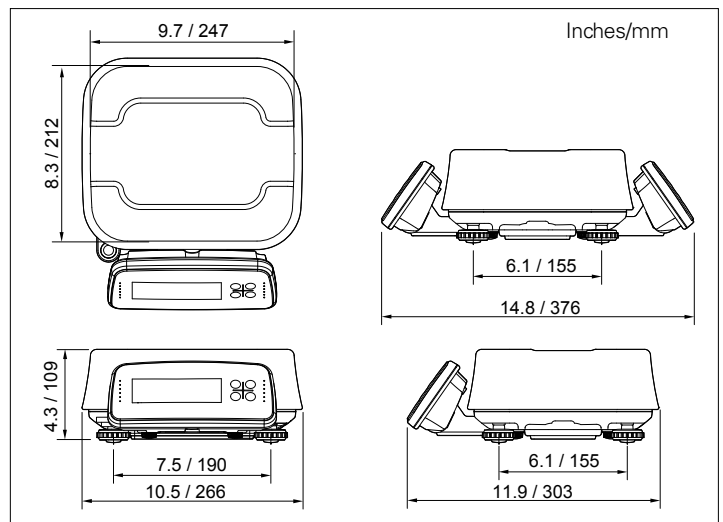
FEATURES

- Large easy to read LCD display - 1.4 inch/35 mm High
- Single or dual display models
- Easy to clean - *Washdown*
Protected to IP69K Standards
- Dual range
- Unit switchable
- Auto power off

Included with each scale

- Two lithium polymer rechargeable batteries w/charger
- AC adapter

DIMENSIONS



CAS

99 Murray Hill Parkway Unit A
East Rutherford, NJ 07073
Toll Free: (800) 223-4227
Tel: (201) 933-9002
Fax: (201) 933-9025
<http://www.cas-usa.com>

Specifications are subject to change for improvement without prior notice.